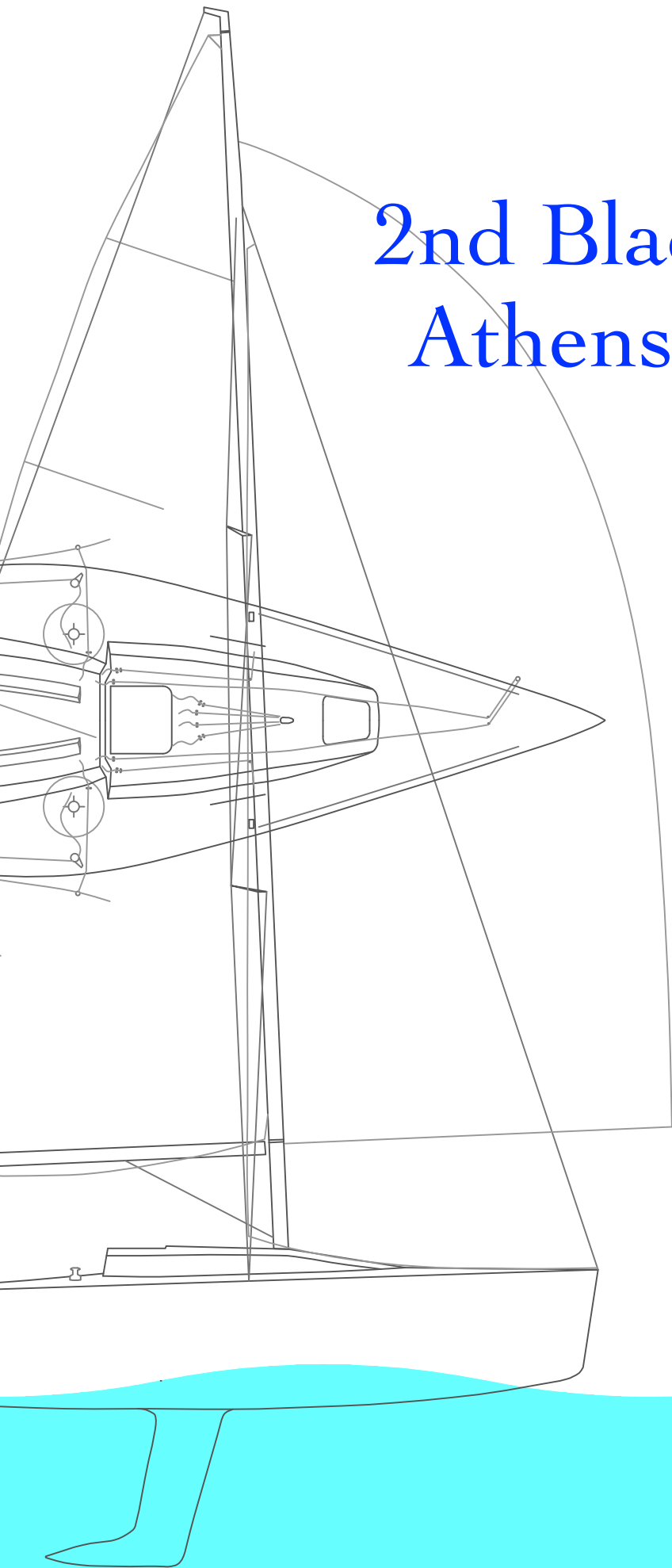


2nd Black Sea Wolf Athens Boot Camp 2020



PLATU 25

The logo features the text 'No78' in a bold, sans-serif font. The 'N' is stylized with a white outline, and the '7' and '8' are solid grey. Behind the text is a large, light grey silhouette of a sailboat's hull and mast. At the bottom of the page, there is a solid cyan-colored wavy shape representing the sea.

No78

Welcome aboard to No78

No78 is more than just a nautical club, it's an open group of people, an idea, and a way of life. Our goal is not just to certify licenses but the sustained education in all areas of sailing. No78's program gives the opportunity for additional knowledge and experience to his graduate and members so they can be ready to open sails around the beautiful inland and set course across the seas.

Schedule

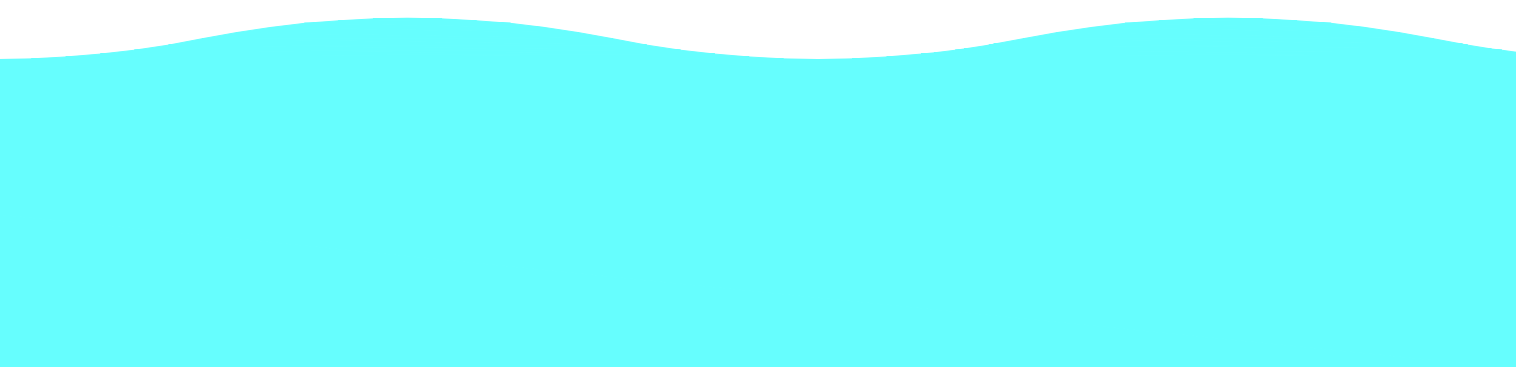
Friday

- 11:00 - 11:30 Registrations.
- 11:30 - 12:30 Theory at the boat.
- 12:30 - 14:30 Training.
- 14:30 - 15:00 Launch break at the boat.
- 15:00 - 18:00 Training.
- 20:00 - 24:00 BBQ.

Saturday

- 11:00 - 12:00 Theory at the boat.
- 12:00 - 14:30 Training.
- 14:30 - 15:00 Launch break at the boat.
- 15:00 - 18:00 Training.
- 20:00 - 23:00 Dinner.

Sunday

- 10:00 - 10:30 Skipper Meeting
 - 11:00 - 13:30 Racing
 - 14:30 - 15:00 Prizes ceremony
- 

Head coach

Stelios Noutsos



Born on 12/11/1982 in Athens. Stelios always liked the high speed dinghy. He sailed the 29er where he won many national and international regattas. He also sail in offshore racing, where he won the National Championship 3 times in a row. For the last years he is sailing the 49er high performance sailing dinghy with the ultimate goal of going to the TOKYO 2020.

Coach

Georgios Karadimas



Born on 09/04/1998 in Athens. Giorgos started sailing from a young age on Optimist and continued his path onto 420 and 470, on which he won many National Championships titles, while also has European and World Championship titles. He is a member of the National team from 2012 till 2018. Afterwards, he continued his sailing career at offshore racing, where he won the National Championship. His best places are two times 1st place at 420 National Championship on 2015-2016, 6th place at 420 European Championship on 2015, two times 3rd place at 470 National Championship on 2017-2018 and 1st place at ORCi National Championship on 2019.

Coach

Elisavet Mazaraki



Born on the 10/08/1995 in Athens she has been sailing since the age of 7. Her passion for the sea and sails, upraised her into the next levels in her sailing career. Sailing for the Greek national team, participating and winning championships, racing in offshore sailing competitions and being a remarkable athlete, she is eventually working as a professional skipper and a licensed sailing instructor for both Olympic categories and offshore sailing boats ready to share all her experience and knowledge.

Vassilis Gourgiotis

Born on 07/05/1999 in Athens, Vassilis started sailing in the optimist class, where he achieved to become national and balcan champion. He continued his career at the double-handed 420 class where he became national champion, balcan champion and bronze world champion (2016). Moved on the olympic 470 class he won the 1st place in the national championship u24 and got an 11th place at the europeans u24 (2017). He has also expience in offshore sailing - 1st place at the Aegean Regatta 2017 and a 4th place at the national championship 2015, Lightning class - silver world champion u21 2018, Platu 25 - 2nd place at the national championship 2017 and 3rd place at the national match racing championship 2019.

Coach



Marios Karadimas

Born on 21/04/2000 in Athens, Marios started sailing in the Optimist class and quickly continued his career in the Laser class, on which he has won many titles. He has also took part in many offshore sailing regattas, where he took many podiums. Furthermore, he is a member of the National sailing team from 2013 till 2019, while some of his best places are twice 4th place at Laser standard National championship 2014-2019, 1st place at Laser standard at National championship 2017, 2nd place at Laser standard Balkan championship, 12th place at Laser standard youth World championship and 3rd place at Aegean regatta 2016.

Coach



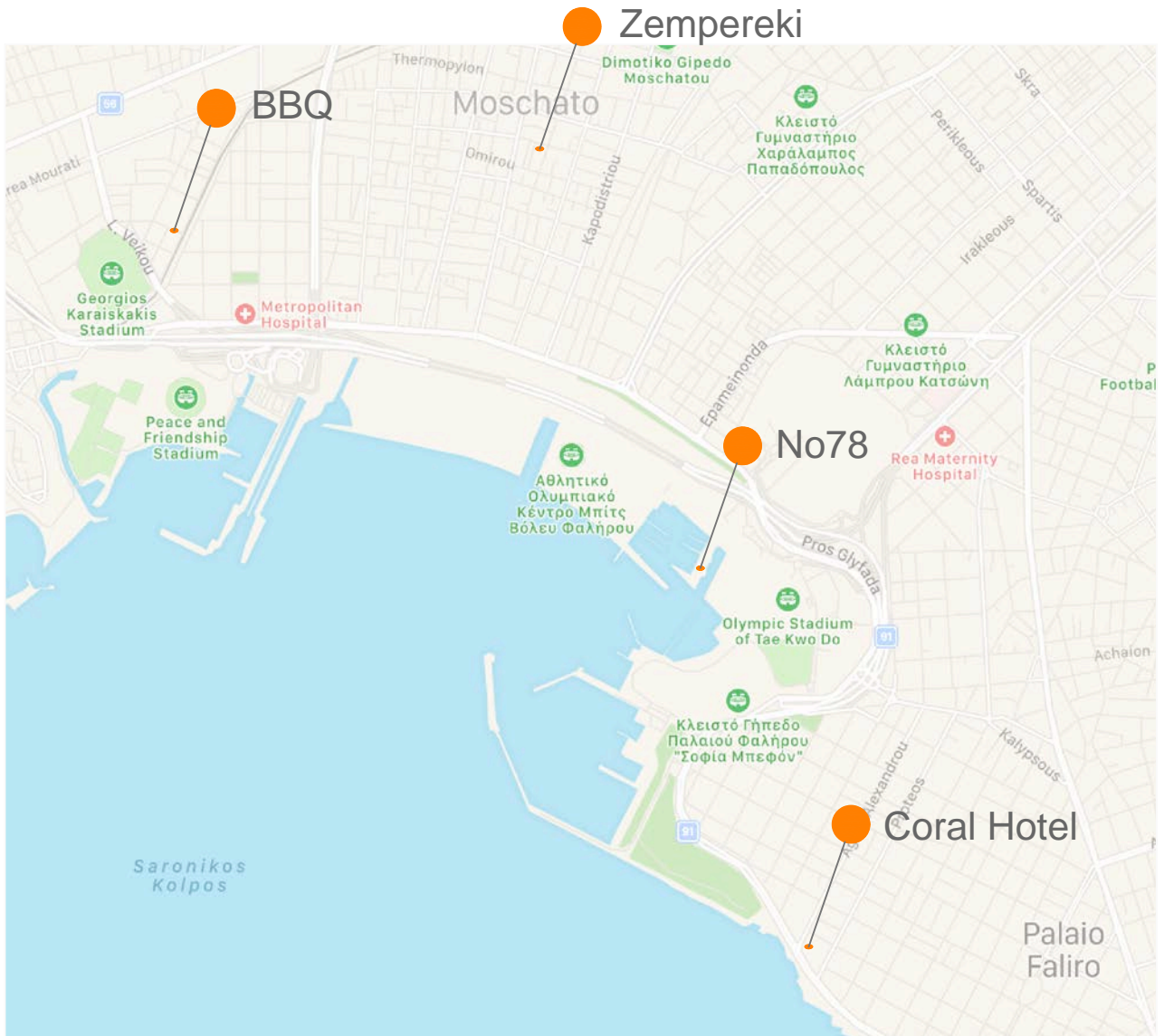
Sotiris Apostolakis

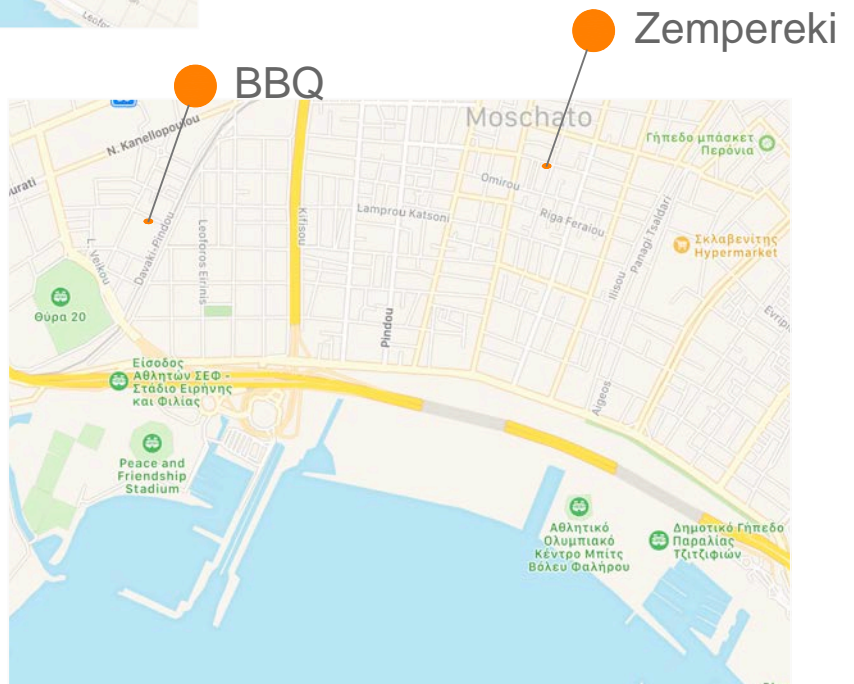
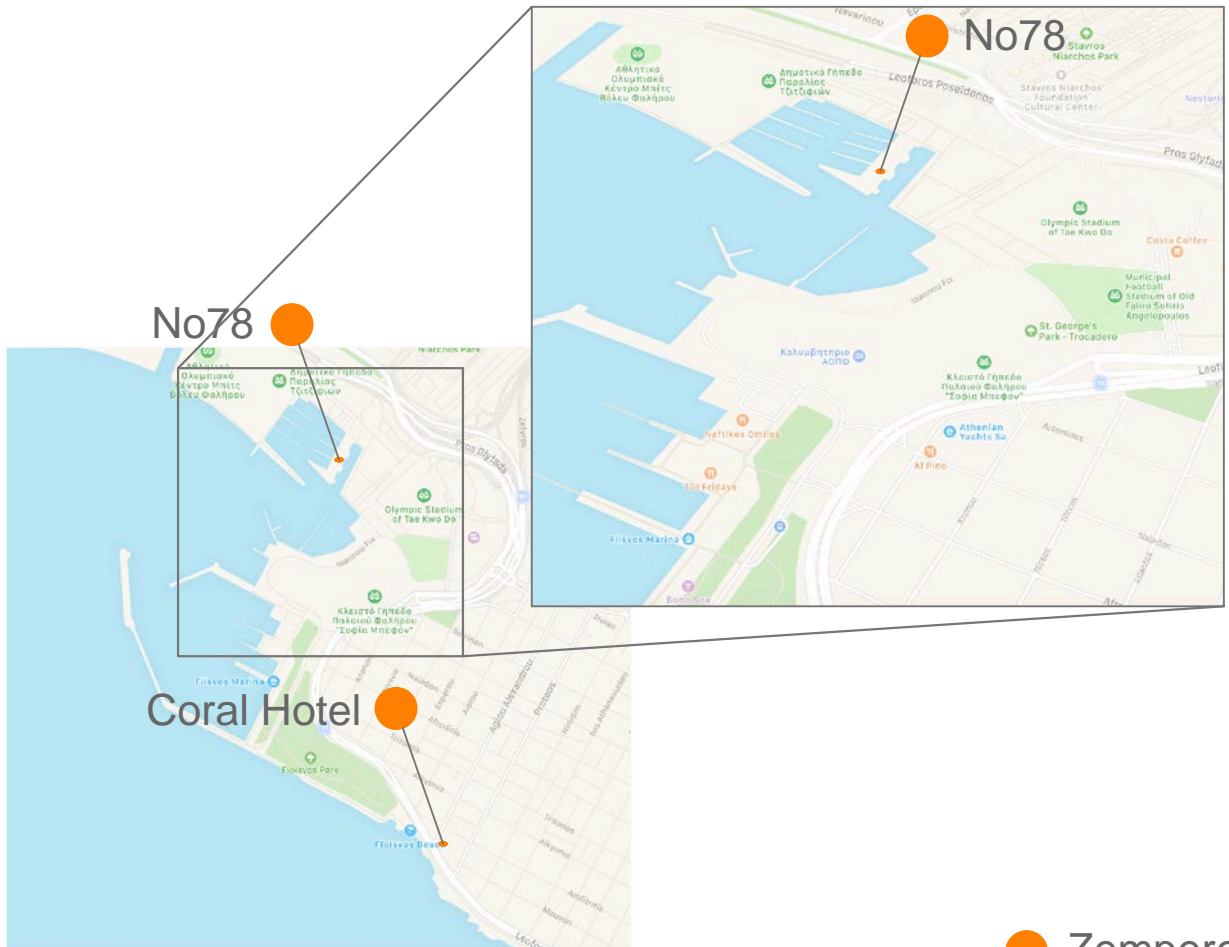
Born on 11/11/1982 in Athens. Sotiris is Instructor on offshore boats and platu25. An expert instructor at aerodynamics and navigation. He sailed offshore boats and platu25 for national and international regattas as a Bowman. He have passion with the traditional wooden boats. For the last years he is involving with the restoration of traditional sailing boats.

Base Manager



General info





- BBQ
arrive time 20:00
Agiou Dimitriou 7
Neo Faliro 185 47
- Dinner at Zempereki
arrive time 20:00
Dionysiou Solomou 92
Moschato 183 45

The pessimist complains about the wind; the optimist expects it to change; the realist adjusts the sails.

William Arthur Word

